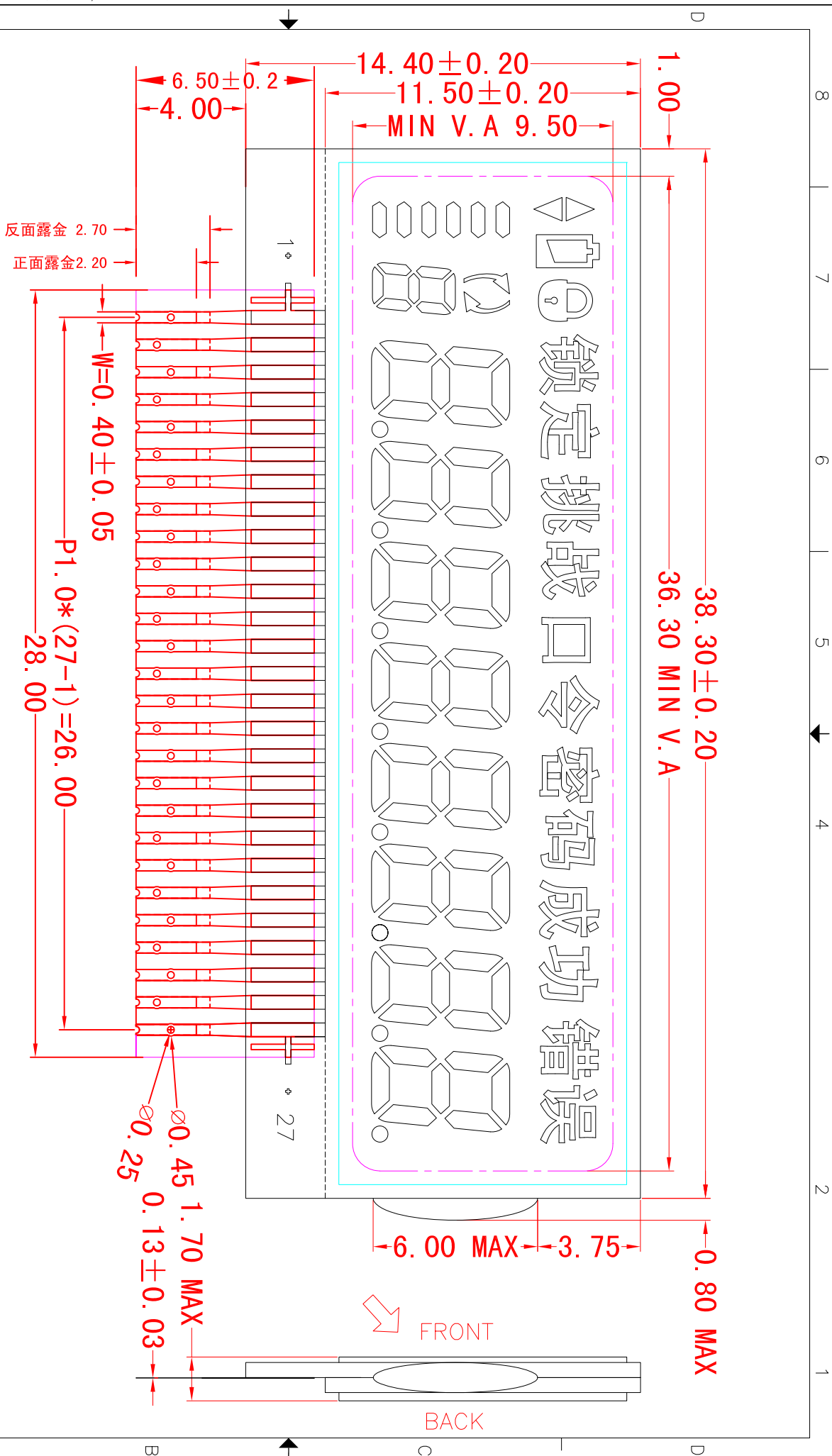
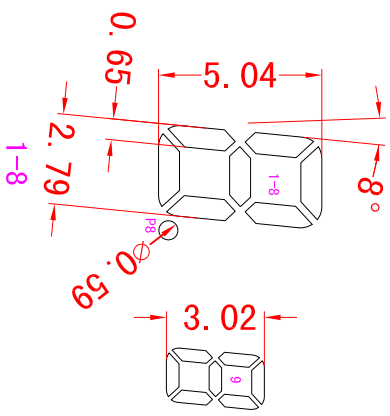
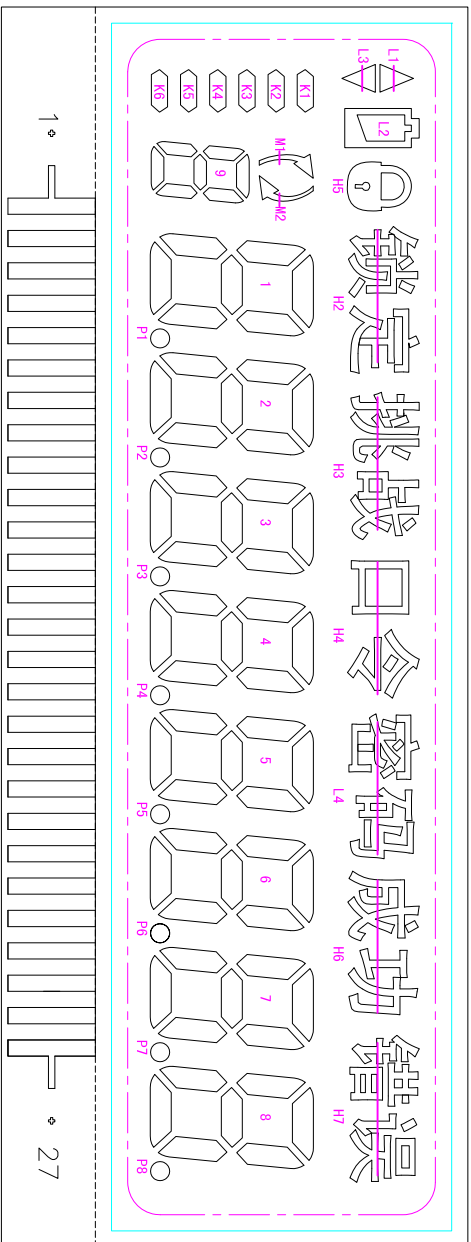


FROM: 烨新达技术部



VIEW ANGLE: 6 O'CLOCK	DISPLAY MODE: POSITIVE/REFLECTIVE	REVISION RECORD	SHENZHEN YEXINDA INDUSTRY CO., LTD.	
DRIVE MODE: 1/4D,1/3B	OPERATE TEMP: -10°C T ₀ $+60^{\circ}\text{C}$	1:	DRAWN BY: HGY	LCD NO: YXD-LCDT0070
DRIVE VOLTAGE: 3.0V	STORAGE TEMP: -20°C T ₀ $+70^{\circ}\text{C}$	2:	APPROVED:	UNIT: mm
CONNECTOR: Pin	IC:	3:	DATE: 2013-07-03	SHEET NO: 1 OF 2

8 7 6 5 4 3 2 1



PIN	1	2	3	4	5	6	7	8	9	10	11	12	13	14	15	16	17	18	19	20	21	22	23	24	25	26	27
COM1	L1	H4	—	K3	1F	1A	2F	2A	3F	3A	4F	4A	5F	5A	6F	6A	7F	7A	8F	8A	9F	9A	K1	—	—	—	COM1
COM2	L2	H3	H5	K4	1G	1B	2G	2B	3G	3B	4G	4B	5G	5B	6G	6B	7G	7B	8G	8B	9G	9B	K2	—	—	COM2	—
COM3	L3	H2	H6	K5	1E	1C	2E	2C	3E	3C	4E	4C	5E	5C	6E	6C	7E	7C	8E	8C	9E	9C	M1	—	COM3	—	—
COM4	L4	—	H7	K6	1D	P1	2D	P2	3D	P3	4D	P4	5D	P5	6D	P6	7D	P7	8D	P8	9D	—	M2	COM4	—	—	—

LCD-TN

VIEW ANGLE: 6 O'CLOCK	DISPLAY MODE: POSITIVE/REFLECTIVE
DRIVE MODE: 1/4D,1/3B	OPERATE TEMP: -10°C T0 +60°C
DRIVE VOLTAGE: 3.0V	STORAGE TEMP: -20°C T0 +70°C
CONNECTOR: Pin	IC:

REVISION RECORD

1:	
2:	
3:	

SHENZHEN YEXINDA INDUSTRY CO., LTD.

DRAWN BY: HGY	LCD NO: YXD-LCDT0070
APPROVED:	UNIT: mm
DATE: 2013-07-03	SHEET NO: 2 OF 2

REV A