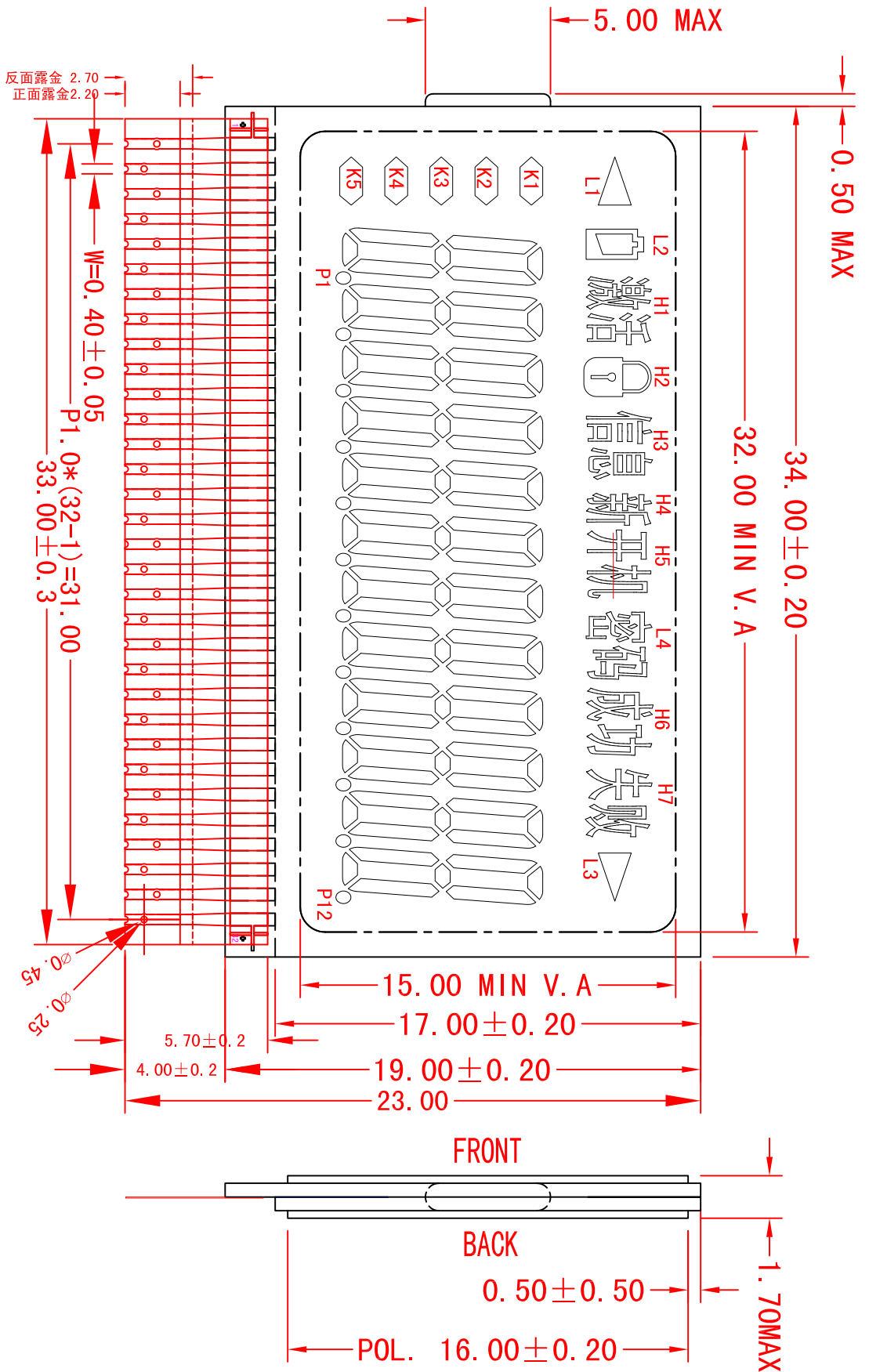


FROM: 烨新达技术部



LCD-TN

VIEW ANGLE: 6 O'CLOCK DISPLAY MODE: POSITIVE/REFLECTIVE

DRIVE MODE: 1/4D,1/3B OPERATE TEMP: -10°C T0 $+60^{\circ}\text{C}$

DRIVE VOLTAGE: 3.0V STORAGE TEMP: -20°C T0 $+70^{\circ}\text{C}$

CONNECTOR: Pin IC:

REVISION RECORD

1: 修改FPC焊接金手指

2:

3:

SHENZHEN YEXINDA INDUSTRY CO., LTD.

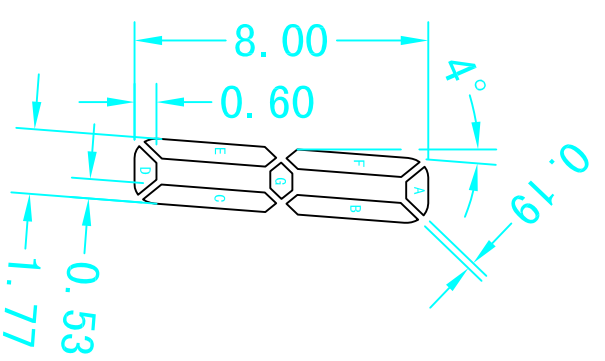
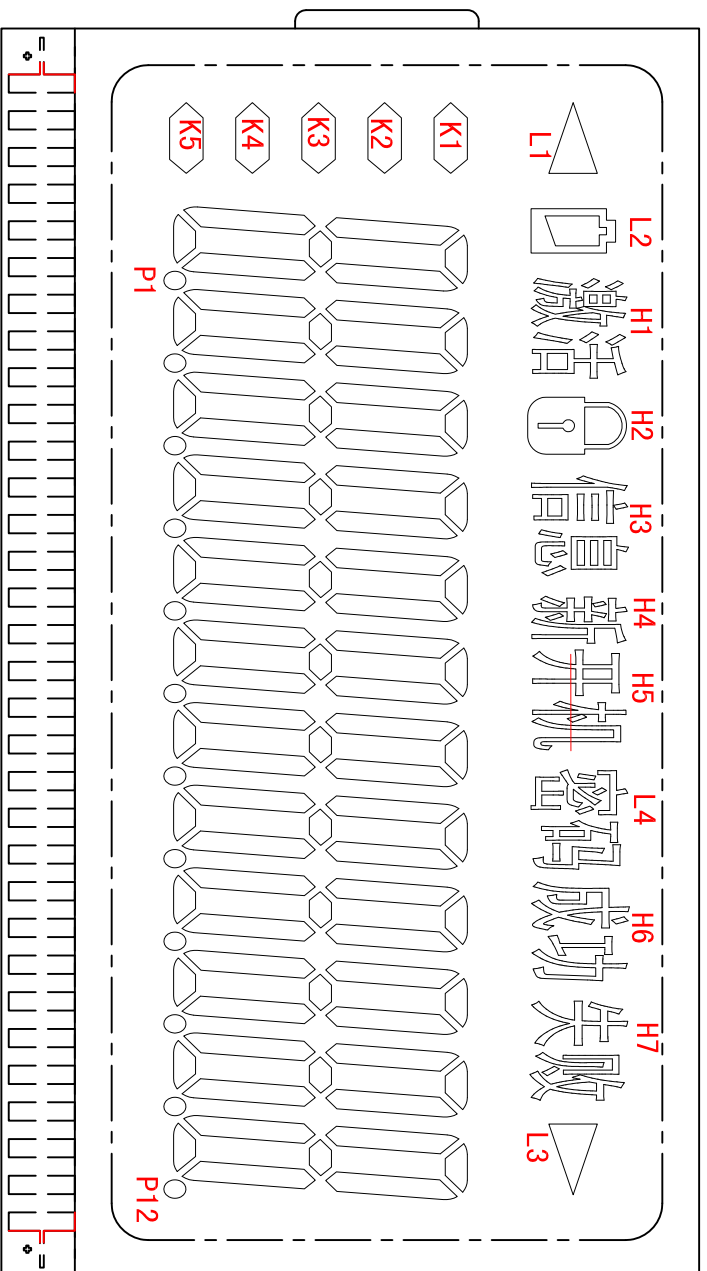
DRAWN BY: HGY LCD NO: YXD-LCDT0068

APPROVED: UNIT: mm

DATE: 2013-05-08 SHEET NO: 1 OF 2

REV A

FROM: 烨新达技术部



PIN	1	2	3	4	5	6	7	8	9	10	11	12	13	14	15	16	17	18	19	20	21	22	23	24	25	26	27	28	29	30	31	32
COM1	L1	H4	K1	K2	1F	1A	2F	2A	3F	3A	4F	4A	5F	5A	6F	6A	7F	7A	8F	8A	9F	9A	10F	10A	11F	11A	12F	12A	--	--	COM1	
COM2	L2	H3	H5	K3	1G	1B	2G	2B	3G	3B	4G	4B	5G	5B	6G	6B	7G	7B	8G	8B	9G	9B	10G	10B	11G	11B	12G	12B	--	--	COM2	
COM3	L3	H2	H6	K4	1E	1C	2E	2C	3E	3C	4E	4C	5E	5C	6E	6C	7E	7C	8E	8C	9E	9C	10E	10C	11E	11C	12E	12C	---	---	COM3	
COM4	L4	H1	H7	K5	1D	P1	2D	P2	3D	P3	4D	P4	5D	P5	6D	P6	7D	P7	8D	P8	9D	P9	10D	P10	11D	P11	12D	P12	COM4	---	---	

LCD-TN

VIEW ANGLE: 6 O'CLOCK	DISPLAY MODE: POSITIVE/REFLECTIVE
DRIVE MODE: 1/4D,1/3B	OPERATE TEMP: -10°C T0 +60°C
DRIVE VOLTAGE: 3.0V	STORAGE TEMP: -20°C T0 +70°C
CONNECTOR: Pin	IC:

REVISION RECORD

1:	
2:	
3:	

SHENZHEN YEXINDA INDUSTRY CO., LTD.

DRAWN BY: HGY	LCD NO: YXD-LCDT0068
APPROVED:	UNIT: mm
DATE: 2013-04-03	SHEET NO: 2 OF 2

REV A

8 7 6 5 4 3 2 1