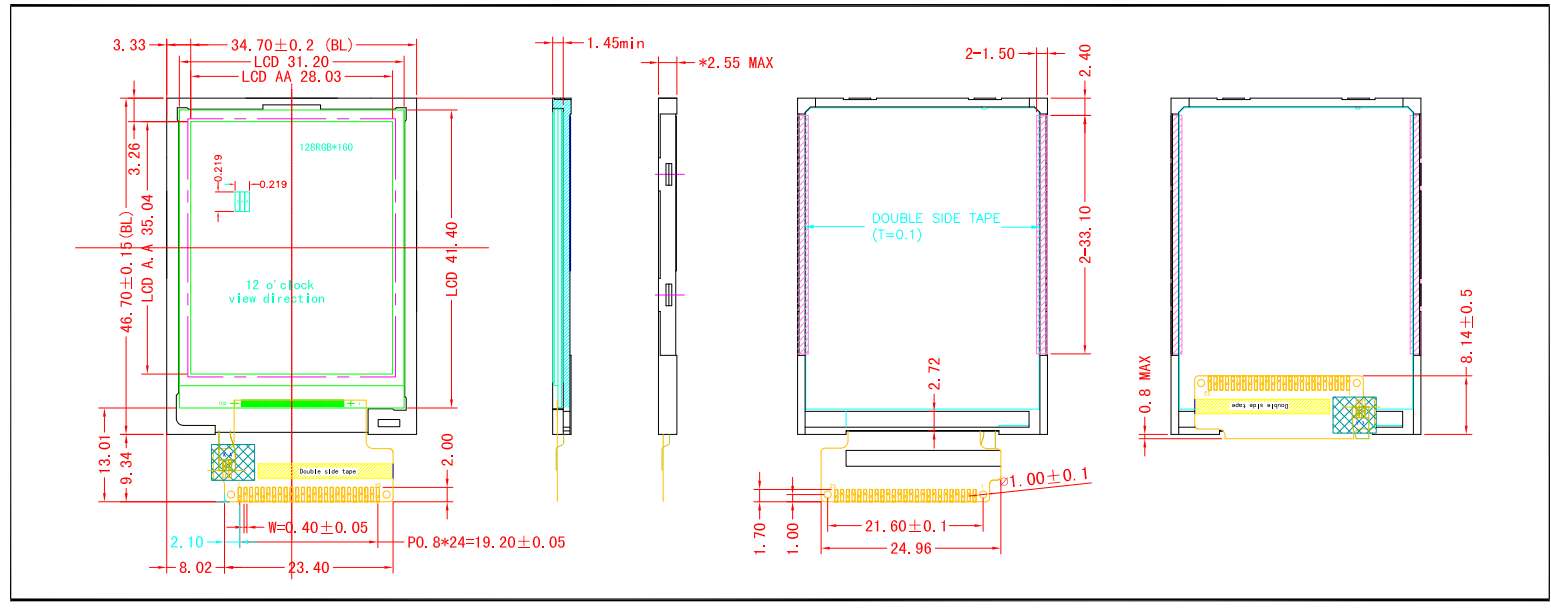
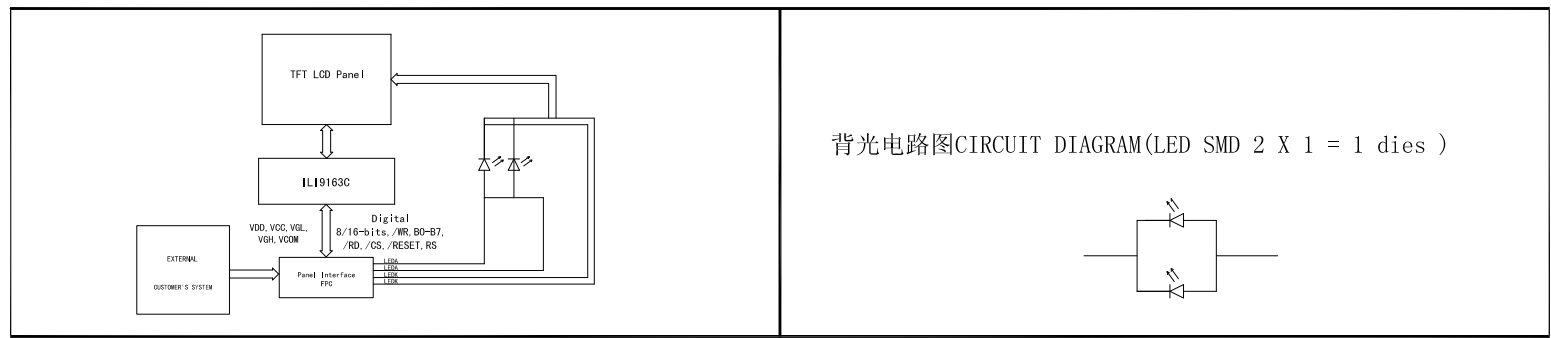




## 1.0 DIMENSIONAL DRAWING



## 2.0 BLOCK DIAGRAM & POWER SUPPLY



## 3.0 MECHANICAL SPECIFICATIONS & FEATURE

Item	Nominal Dimensions (mm)	Feature	
		Active Screen Size	177" Diagonal
Module Size(W*H*T)	46.7x34.7x2.55	Resolution	128 (RGB) x 160
Active Area(W*H)	35.06 x 28.03	View Angle	6 o'clock
Dot x Dot(W*H)	128 (RGB) x 160	Pixel Driving Element	α-si TFT
Dot Pitch(W*H)	---	Pixel Arrangement	RGB Vertical Stripe
Dot Size(W*H)	0.219 (H) x 0.219 (V)	Driving IC	ILI9163C
---	---	Operating Temperature	-20° C to +70° C
---	---	Storage Temperature	-30° C to +80° C

## 4.0 ELECTRICAL CHARACTERISTICS

Item	Symbol	Test Condition	Min.	Typ.	Max.	Unit
LED Supply Voltage	LEDA	AGND=GND=0V Ta=25° C	3.0	3.2	3.4	V
Digital Supply Voltage	IOVDD	AGND=GND=0V Ta=25° C	1.65	1.8	3.3	V
Analog Supply Voltage	VDD	AGND=GND=0V Ta=25° C	2.5	2.8	4.8	V

## 5.0 INTERFACE PIN CONNECTIONS

Pin No.	Symbol	I/O	Function	Remarks
1	GND	P	Power ground	
2-5	NC	-	No Connection	
6	IOVDD	P	Power for digital circuit	TYP(1.8V)
7	VDD	P	Power for analog circuit	TYP(2.8V)
8	CS	I	LCM selection pin for serial interface; internal pull high	
9	RS	I	LCM Data/Command Selection Terminal	
10	/WR	I	LCM Write Signal Input Terminal	
11	RD	I	LCM Read Signal Input Terminal	
12-19	DO-D7	I	Input data	
20	RES	I	LCM reset pin. internal pull high. connected to VDD when not used	
21	GND	P	Power ground	
22, 23	LEDA	P	Power for LED backlight (Cathode)	
24	NC	-	No Connection	
25	LEDK	P	Power for LED backlight (anode)	