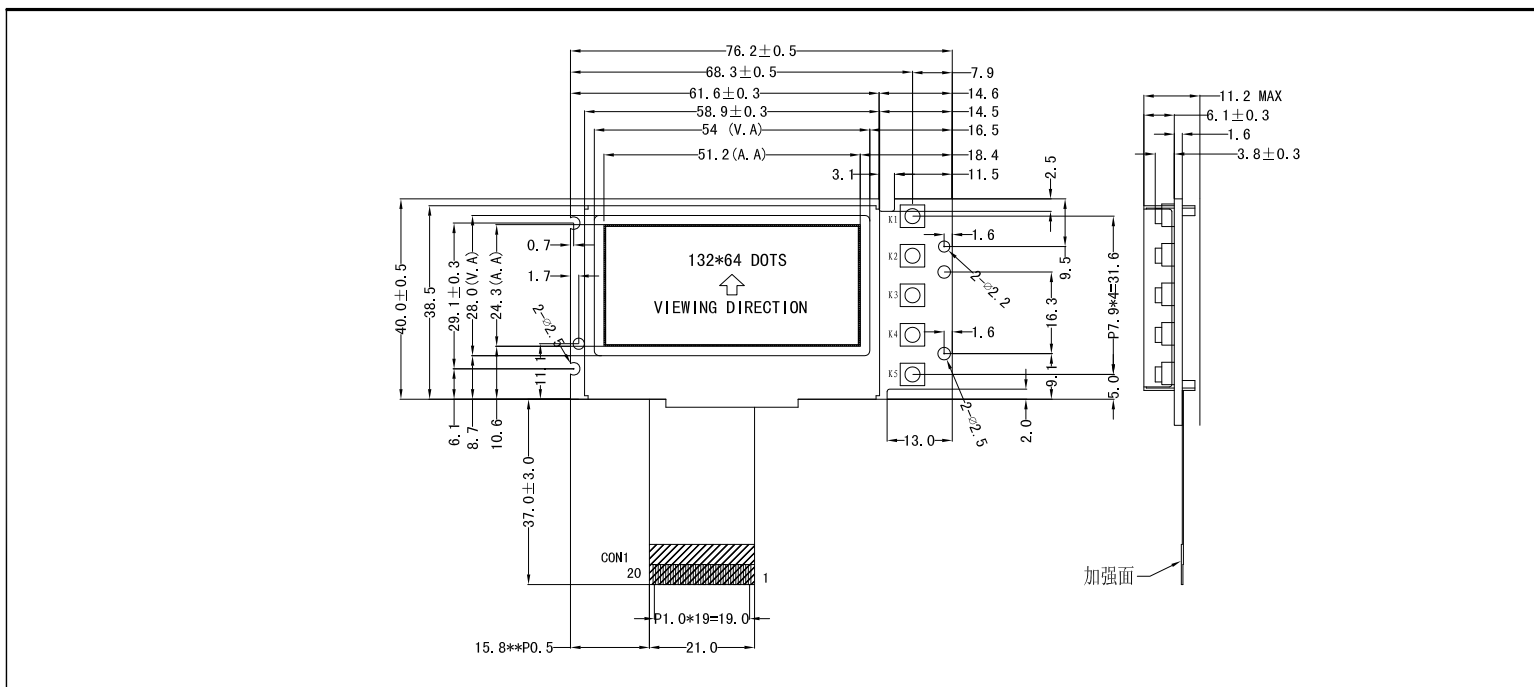
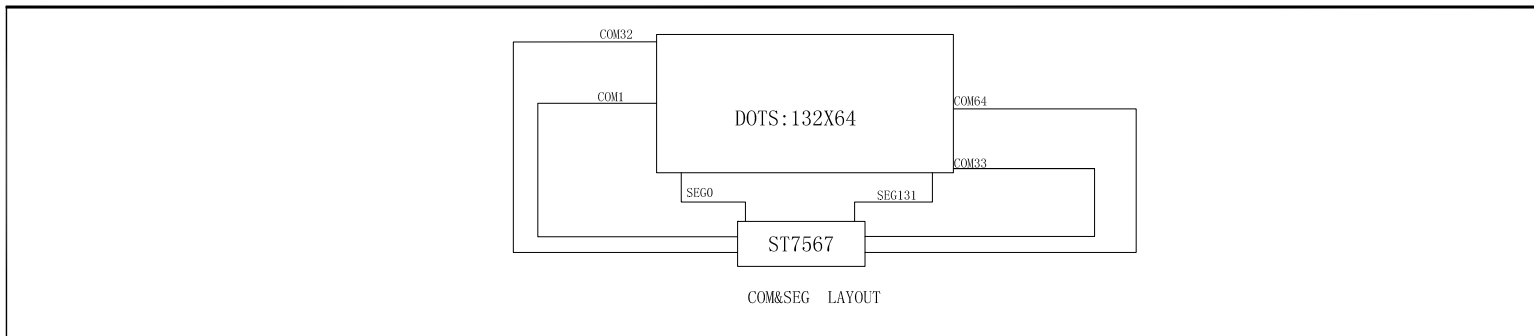


1.0 DIMENSIONAL DRAWING



2.0 BLOCK DIAGRAM & POWER SUPPLY



3.0 MECHANICAL SPECIFICATIONS & FEATURE

Item	Nominal Dimensions (mm)	Feature	
		LCD Type	STN
Size (W*H*T) LCD	76.2×40×10.2	LCD Colure	Y-G
View Area (W*H)	55× 28	View Angle	6 O'clock
Dot × Dot (W*H)	132 × 64	Display Type	Positive Type
Dot Size (W*H)	0.35 × 0.37	Rear Polarizer	Transmissive
Dot Pitch (W*H)	0.38 × 0.40	Operating Temperature	-25° C to +70° C
---	---	Storage Temperature	-30° C to +80° C
---	---	Backlight	LED (Green)

4.0 ELECTRICAL CHARACTERISTICS

Item	Symbol	Test Condition	Min.	Typ.	Max.	Unit
Operating Voltage	Vdd	Ta=25° C	---	3.3	---	V
Operating Voltage For LCD	Vlcd	Ta=25° C	---	9.5	---	V
Supply Current	Idd	Ta=25° C, Vdd=3.3V	---	15	---	μA
Supply Current For Backlight	If	Ta=25° C, VAK=3.3V	---	15	---	mA

5.0 PIN CONFIGURATION

Pin No.	Symbol	Level	Description
1	/CS	L	LCM Selection Signal Input Terminal
2	/RES	H→L, H	LCM Reset Signal Input Terminal
3	RS	H/L	LCM Data/command Signal Input Terminal
4	SCL	CLOCK	LCM Serial Clock Input Terminal
5	SDA	DATA	LCM Serial Data Input Terminal
6	VDD	3.3V	LCM Power Supply Positive Input Terminal
7	LEDK	0V	LED Backlight Unit Anode Terminal
8	LEDA	3.3V	LED Backlight Unit Anode Terminal
9-10	VSS	0V	LCM Power Supply Negative Input Terminal
11, 12, 13	KEY1, KEY2, KEY3	L	KEY Power Supply Input Terminal
14	VSS	0V	LCM Power Supply Negative Input Terminal
15, 16	KEY4, KEY5	L	KEY Power Supply Input Terminal
17, 18, 19, 20	VSS	0V	LCM Power Supply Negative Input Terminal