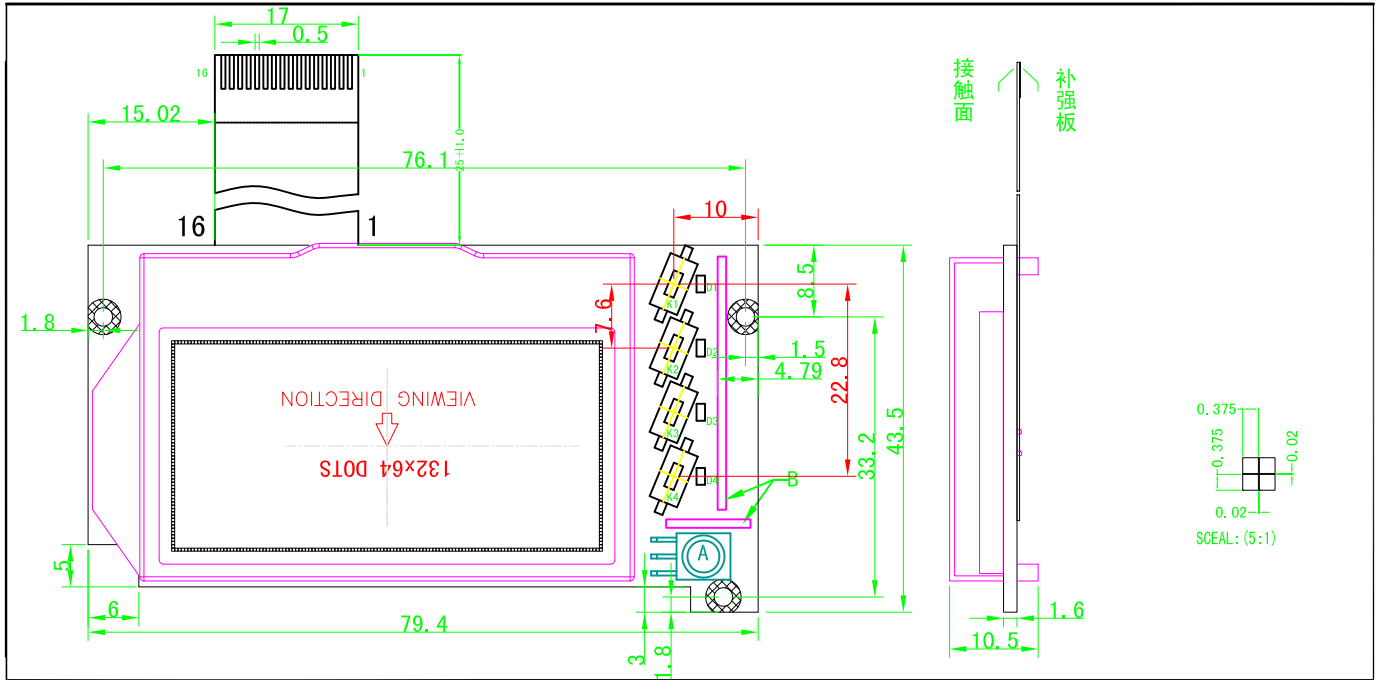
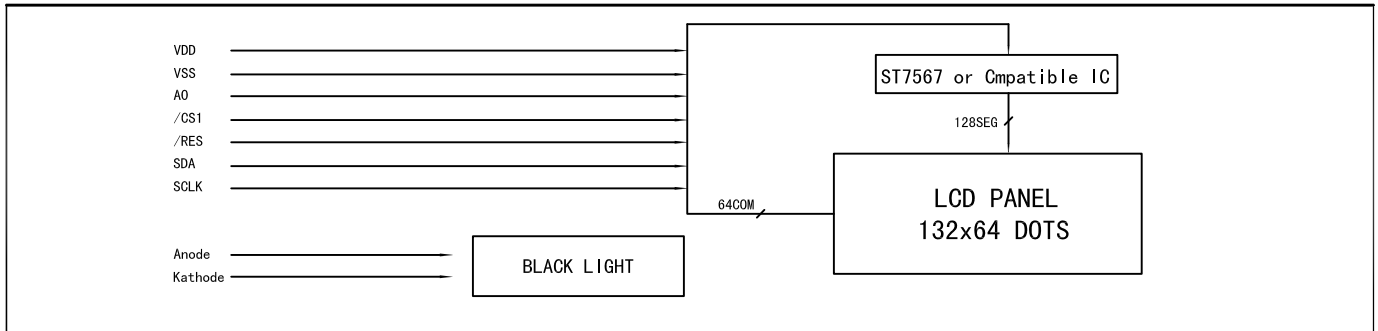




## 1.0 DIMENSIONAL DRAWING



## 2.0 BLOCK DIAGRAM & POWER SUPPLY



## 3.0 MECHANICAL SPECIFICATIONS & FEATURE

Item	Nominal Dimensions (mm)	Feature	
		LCD Type	STN
Module Size(W*H*T)	79.4×43.5×10.5	LCD Colure	Yellow-green
View Area(W*H)	54 × 28	View Angle	6 O'clock
Dot × Dot(W*H)	132 × 64	Display Type	Positive Type
Dot Pitch(W*H)	0.4 × 0.44	Rear Polarizer	Transmissive
Dot Size (W*H)	0.44 × 0.48	Operating Temperature	-30. C to +70. C
---	---	Storage Temperature	-40. C to +80. C
---	---	Backlight	LED (Amber)

## 4.0 ELECTRICAL CHARACTERISTICS

Item	Symbol	Test Condition	Min.	Typ.	Max.	Unit
Operating Voltage	Vdd	Ta=25. C	---	3.0	---	V
Operating Voltage For LCD	Vlcd	Ta=25. C	---	9.0	---	V
Supply Current	Idd	Ta=25. C, Vdd=3.0V	---	15	---	μA
Supply Current For Backlight	If	Ta=25. C, VAK=3.0V	---	30	---	mA

## 5.0 INTERFACE PIN CONNECTIONS

Pin No.	Symbol	Level	Description
1	GND	0V	LCM Power Supply Negative Input Terminal
2	/CS	L	LCM Selection Signal Input Terminal
3	/RES	H→L, H	LCM Reset Signal Input Terminal
4	A0	H/L	LCM Data/command Signal Input Terminal
5	VDD	3.3V	LCM Power Supply Positive Input Terminal
6	SCL	H/L	LCM Clock Signal Input Terminal
7	SDA	H/L	LCM Data Input Terminal
8	A	3.0V	LED Backlight Power Supply Positive Input Terminal
9	K	0V	LED Backlight Power Supply Negative Input Terminal
10	RFDATA/K5		RF output DATA/K5 INPUT
11	K1	L	KEY1 INPUT
12	K2	L	KEY2 INPUT
13	K3	L	KEY3 INPUT
14	K4	L	KEY4 INPUT
15	NC		
16	NC		