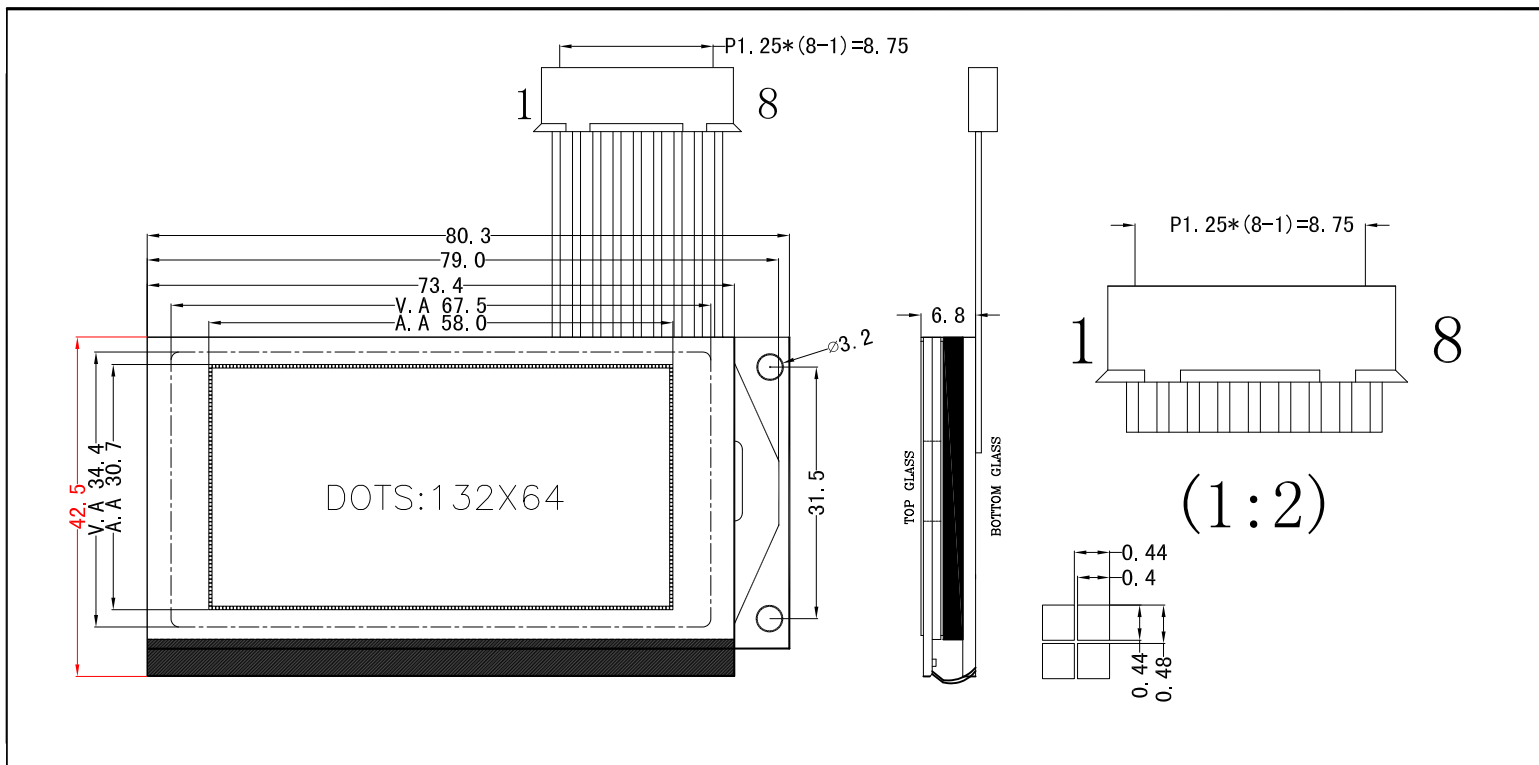
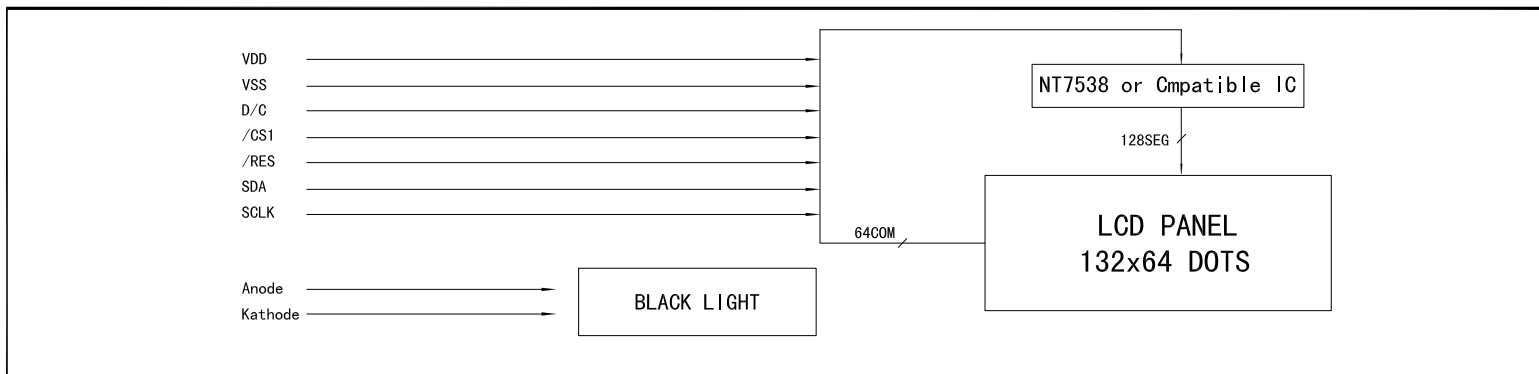




1.0 DIMENSIONAL DRAWING



2.0 BLOCK DIAGRAM & POWER SUPPLY



3.0 MECHANICAL SPECIFICATIONS & FEATURE

Item	Nominal Dimensions (mm)	Feature	
		LCD Type	STN
Module Size (W*H*T)	80.3×42.5×6.83	LCD Coloure	Yellow-green
View Area (W*H)	67.5 × 34.4	View Angle	6 0'clock
Dot × Dot (W*H)	132 × 64	Display Type	Positive Type
Dot Pitch (W*H)	0.4 × 0.44	Rear Polarizer	Transflective
Dot Size (W*H)	0.44 × 0.48	Operating Temperature	-30° C to +70° C
---	---	Storage Temperature	-40° C to +80° C
---	---	Backlight	LED (green)

4.0 ELECTRICAL CHARACTERISTICS

Item	Symbol	Test Condition	Min.	Typ.	Max.	Unit
Operating Voltage	Vdd	Ta=25° C	---	3.0	---	V
Operating Voltage For LCD	Vlcd	Ta=25° C	---	9.0	---	V
Supply Current	Idd	Ta=25° C, Vdd=3.0V	---	15	---	μA
Supply Current For Backlight	If	Ta=25° C, VAK=3.0V	---	15	---	mA

5.0 INTERFACE PIN CONNECTIONS

Pin No.	Symbol	Level	Description
1	VDD	3.3V	LCM Power Supply Positive Input Terminal
2	A	3.3V	LED Backlight Power Supply Positive Input Terminal
3	SCLK	H/L	LCM Clock Signal Input Terminal
4	SDI	H/L	LCM Data Input Terminal
5	D/C	H/L	LCM Data/command Signal Input Terminal
6	/CS1	L	LCM Selection Signal Input Terminal
7	/RES	H→L, H	LCM Reset Signal Input Terminal
8	VSS	0V	LCM Power Supply Negative Input Terminal