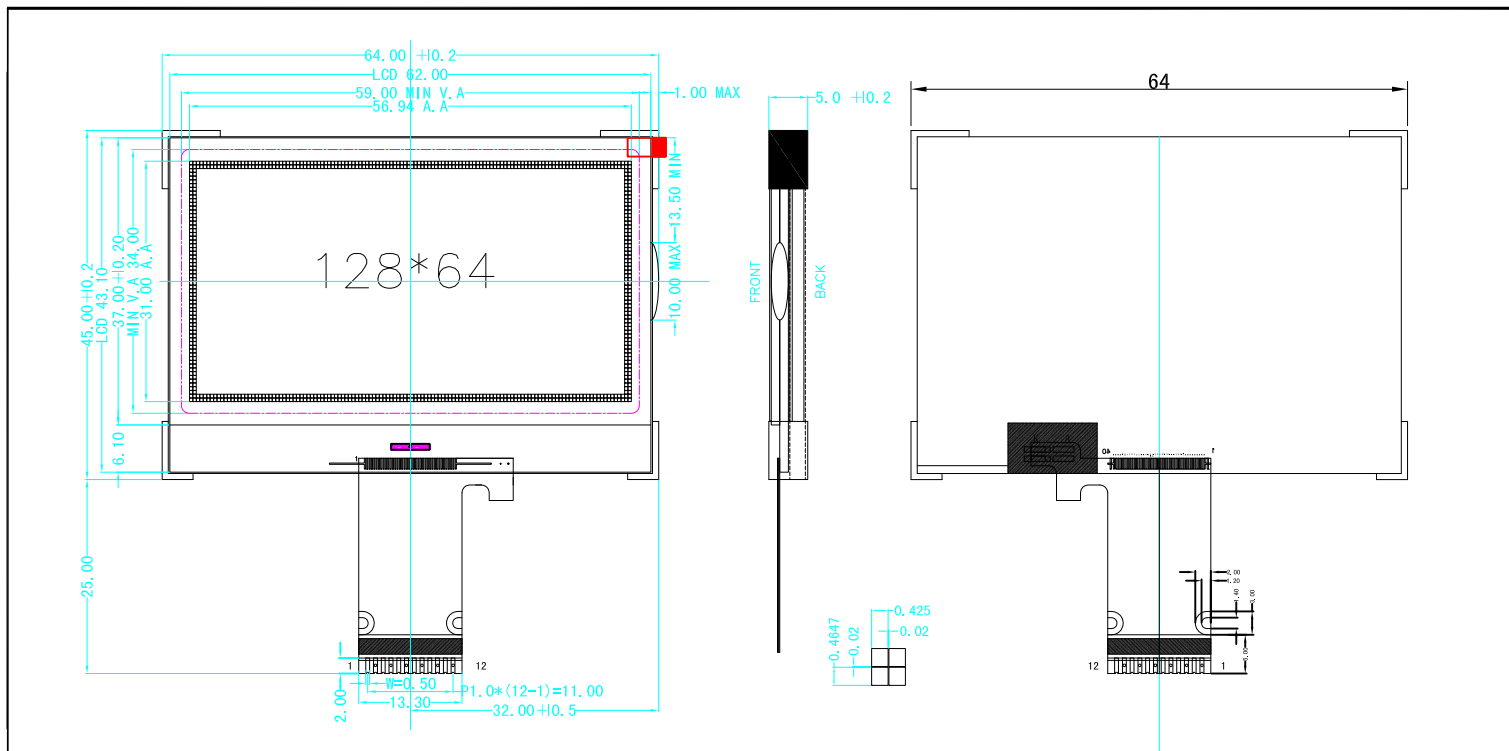
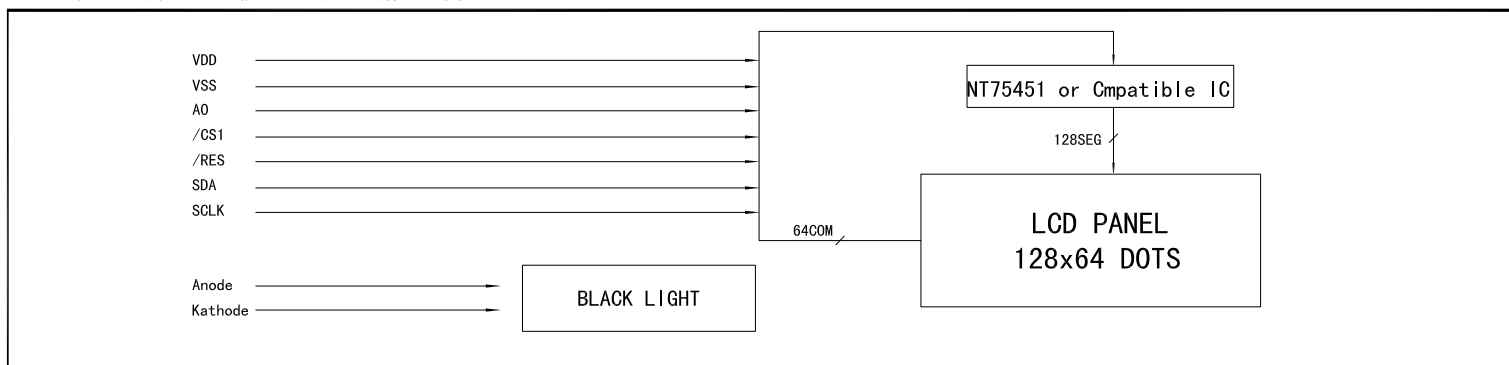




## 1.0 DIMENSIONAL DRAWING



## 2.0 BLOCK DIAGRAM & POWER SUPPLY



## 3.0 MECHANICAL SPECIFICATIONS & FEATURE

Item	Nominal Dimensions (mm)	Feature	
		LCD Type	STN
Module Size (W*H*T)	64×45×5.0	LCD Colure	Yellow-green
View Area (W*H)	59 × 34	View Angle	6 O'clock
Dot × Dot (W*H)	132 × 64	Display Type	Positive Type
Dot Pitch (W*H)	0.425 × 0.4647	Rear Polarizer	Transmissive
Dot Size (W*H)	0.445 × 0.4847	Operating Temperature	-20. C to +70. C
---	---	Storage Temperature	-30. C to +80. C
---	---	Backlight	LED (Y-G)

## 4.0 ELECTRICAL CHARACTERISTICS

Item	Symbol	Test Condition	Min.	Typ.	Max.	Unit
Operating Voltage	Vdd	Ta=25. C	---	3.0	---	V
Operating Voltage For LCD	Vlcd	Ta=25. C	---	9.0	---	V
Supply Current	Idd	Ta=25. C, Vdd=3.0V	---	15	---	μA
Supply Current For Backlight	If	Ta=25. C, VAK=5.0V	---	30	---	mA

## 5.0 INTERFACE PIN CONNECTIONS

Pin No.	Symbol	Level	Description
1	V0		LCD Power Supply Voltage
2	GND	0V	LCM Power Supply Negative Input Terminal
3	VDD	3.3V	LCM Power Supply Positive Input Terminal
4	SDI	H/L	LCM Data Input Terminal
5	SCLK	H/L	LCM Clock Signal Input Terminal
6	GND	0V	LCM Power Supply Negative Input Terminal
7	AO	H/L	LCM Data/command Signal Input Terminal
8	/RES	H→L, H	LCM Reset Signal Input Terminal
9	/CS1	L	LCM Selection Signal Input Terminal
10	GND	0V	LCM Power Supply Negative Input Terminal
11	LEDA	5V	LED Backlight Power Supply Positive Input Terminal
12	LEDK	0V	LED Backlight Power Supply Positive Input Terminal