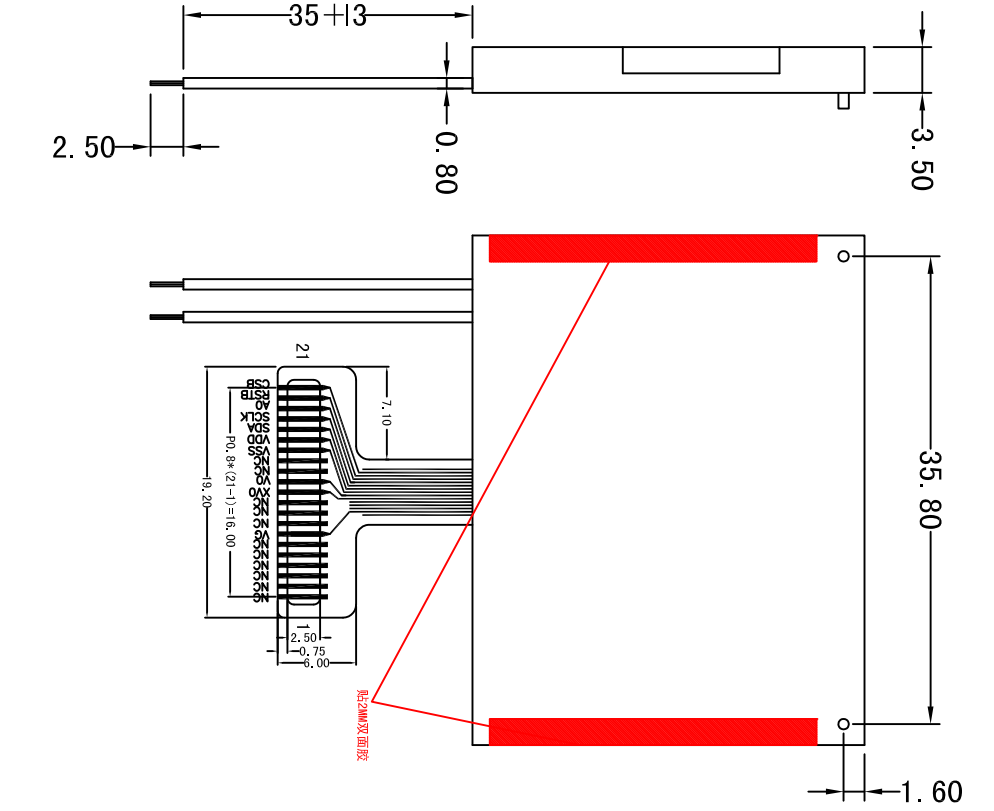
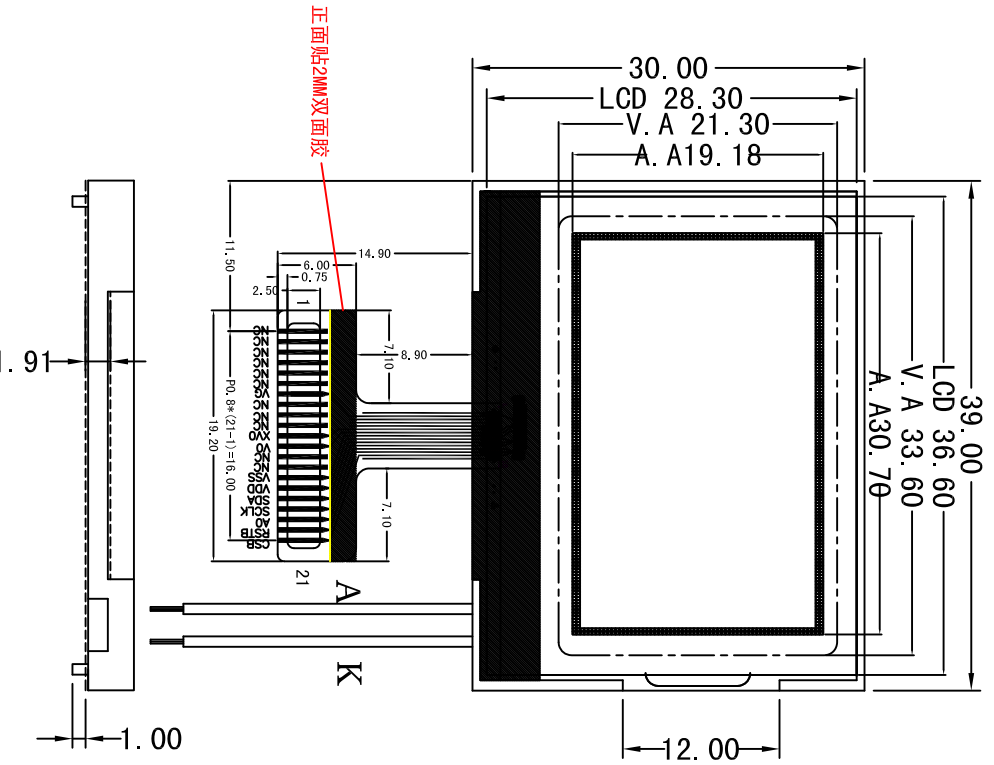
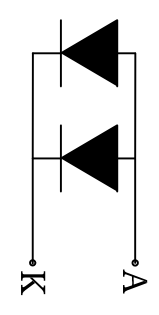


TO:

FROM: 焜新达技术部



PIN	Symbol	I
1-6	NC	
7	VG	
8-10	NC	
11	XV0	
12	V0	
13-14	NC	
15	VSS	
16	VDD	
17	SDA	
18	SCLK	
19	A0	
20	REST	
21	CS	



Circuit Diagram LED 1x2=2Dies

LCD-FSTN

VIEW ANGLE: 6 0'CLOCK

DRIVE MODE: 1/65D,1/9B

DRIVE VOLTAGE: 9.0V

THE LCM: FPC+COG IC+LCD

REVISION RECORD

1: 正面贴2MM双面胶

2:

3:

SHENZHEN YEXINDA INDUSTRY CO., LTD.

DRAWN BY: HGY

APPROVED:

DATE: 2012-12-26

REV B

LCM NO:YXD-1286413A

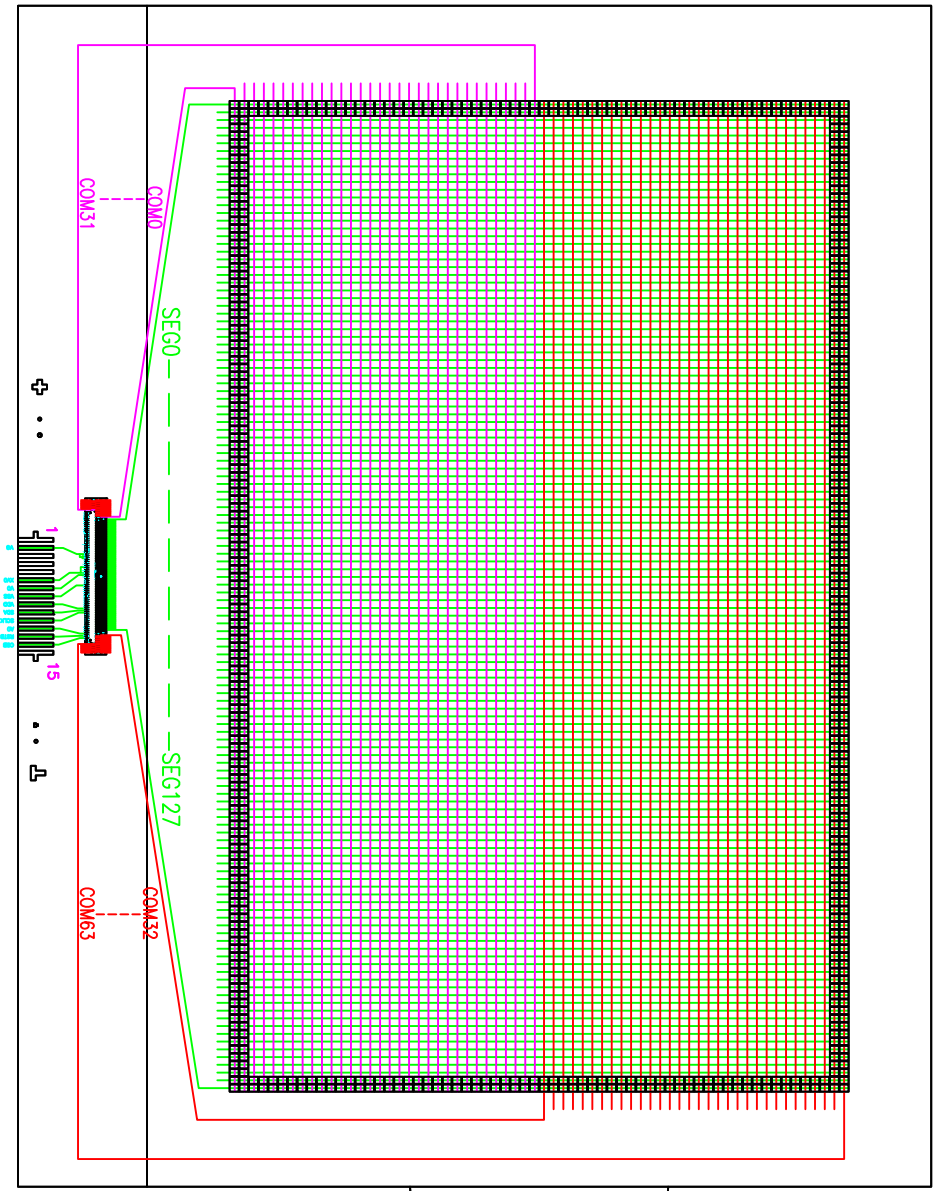
UNIT: mm

SHEET NO: 1 OF 2

2

TO:

FROM: 烨新达技术部



LCD-FSTN

VIEW ANGLE: 6 0'CLOCK	DISPLAY MODE: POSITIVE/HIGH-TRANSPARENT
-----------------------	---

DRIVE MODE: 1/65D,1/9B	OPERATE TEMP: -10°C TO +60°C
------------------------	------------------------------

DRIVE VOLTAGE: 9.0V	STORAGE TEMP: -20°C TO +70°C
---------------------	------------------------------

THE LCM: FPC+COG IC+LCD	DRIVING IC: ST7567
-------------------------	--------------------

REVISION RECORD

1:	
----	--

2:	
----	--

3:	
----	--

SHENZHEN YEXINDA INDUSTRY CO., LTD.

DRAWN BY: HGY	LCM NO: YXD-1286413A
---------------	----------------------

APPROVED:	UNIT: mm
-----------	----------

DATE: 2012-12-26	SHEET NO: 2 OF 2
------------------	------------------

REV B